

APPLICATION:

PRODUCT NAME:

**8" C/C DECK MOUNT 3/4" FAUCET**

JOB NAME:

\_\_\_\_\_ SPECIAL CONFIGURATION  
(CHECK BASE MODEL AND OPTIONS)

QUANTITY:

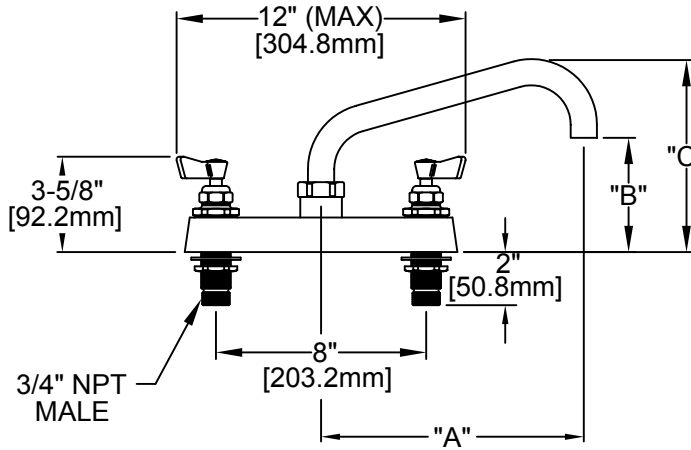
ITEM NO.:

MODEL:

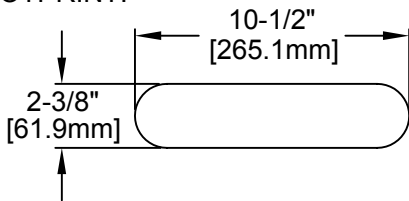
- 5312 W/10" SWING SPOUT
- 5314 W/14" SWING SPOUT

OPTIONS OR MODIFICATIONS:

- VANDAL RESISTANT KIT
- HANDLES (CROSS OR WRIST) CIRCLE STYLE
- OTHER \_\_\_\_\_



FOOTPRINT:



MODEL	DIM "A"	DIM "B"	DIM "C"
5312	10" [254.0mm]	4-1/4" [108.0mm]	7-3/8" [187.3mm]
5314	14" [355.6mm]	5-1/2" [140.0mm]	8-1/2" [215.2mm]

FEATURES:

- \* 8" C/C BACKSPLASH FAUCET
- \* SWIVELING SEAT DISKS
- \* HOT SIDE STEM - RIGHT HAND
- \* COLD SIDE STEM - LEFT HAND
- \* STAINLESS STEEL SEATS
- \* STAINLESS STEEL SEAT SCREWS
- \* STAINLESS STEEL HANDLE SCREWS

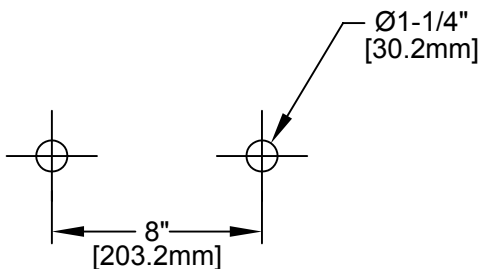
SYSTEM LIMITS

- \* TEMP: 40°F MIN. TO 140°F MAX.
- \* PRESSURE 200 PSI MAX. STATIC
- \* 37 GPM AT 80 PSI

SHIPPING WEIGHT

- \* 8.25 LBS

ROUGH-IN:



ANSI/A112.18.1M, ANSI/NSF 61.9

**FISHER**

FISHER MANUFACTURING COMPANY  
TOLL FREE: 800-421-6162 - FAX: 800-832-8238  
information@fisher-mfg.com - www.fisher-mfg.com